



EUROMAG
INTERNATIONAL

Measure > Sense > Innovate

SENSOR MUT2300

Electromagnetic flowmeter



The electromagnetic flowmeter designed for the toughest applications



DS401-1-USA



Sensor MUT2300

The MUT2300 sensors represent the state of the art of Euromag International production for water cycle and process applications. The innovative inner part of the sensor that increase considerably the liquid flow rate and the reading accuracy of signal generated to the electrodes, enables an extremely wide range of measurement.

These performances allow to measure also low flow rates precisely and repeatable, even in difficult/problematic applications with solid parts.

This flanged sensor series bases its operation on the Faraday Principle, by which a conductor crossing a magnetic field generates an electrical potential perpendicular to the field itself. On the top and on the lower side of the stainless steel AISI 304 flow tube, two coils are installed; the magnetic field generated

by the electric current crossing the coils, induces in the electrodes a potential difference proportional to the flow rate.

With the aim of measuring such potential of very low values, the interior of the flow tube is electrically insulated, thus the process liquid is no longer in contact neither with the material of the flow tube nor with that of the flanges.

The converter used generates the current supplying the coils, acquires the electrodes potential difference, process the signal to calculate the flowrate and manages all the communications. The entire sensor has an IP68 protection degree suitable for a permanent immersion in water up to a depth of 4.92 ft.



Body and flanges

The flanges and the sensor external surface are acrylic painted. This treatment gives the sensor an excellent resistance to water and external agents even in permanent immersion or buried. The MUT2300 may be supplied in stainless steel, flanges included, or with a special paint ideal for application in C4 class environment (UNI EN ISO 12944-2).

Internal lining

The standard internal insulating lining is in Hard rubber (Ebonite) in compliance with WRAS, FDA. The liquid temperature can reach 176° F. Thanks to its high resistance to scraping, the Ebonite is considered the best material for fluids containing scattered solids for applications of water treatment, residual water, potable water and irrigation.

Electrodes

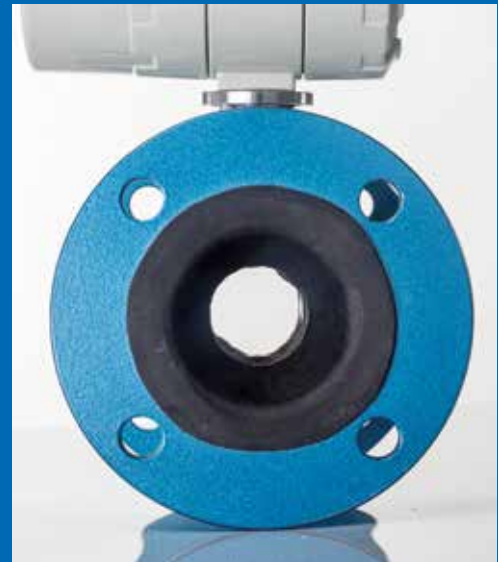
The standard electrodes are in Hastelloy C and therefore this guarantees a wide compatibility with process fluids. If required, they may be supplied in Hastelloy B, Titanium, Tantalum and Platinum. A partially empty tube detection (fourth electrode) is installed and can be enabled or disabled through the software.

Coupling and connection to the sensor

MUT2300 sensors may be coupled with any Euromag converters. In the separate version the sensor is connected to the converter through a cable whose length depends on the liquid conductivity; the maximum length must not exceed 328 feet on the powered version and 98 feet on the battery version.

Negligible pressure drop

The electromagnetic flowmeters do not have any moving internal parts, thus they have a very low pressure drop. The OIML R-49 permits a maximum pressure drop of 9psi at velocity of about 26.25 ft/s. The MUT2300 flowmeters, thanks to its unique design, projected to accelerate the flow and amplify the signal to the electrodes, guarantees a pressure drop less than 3.6psi at velocity of 26.25 ft/s. The pressure drop is always less than 0.14psi at velocities lower than 3.28 ft/s.



MUT2300 - MC608A



MUT2300 - MC406 VERTICAL



MUT2300 - MC406 VERTICAL



MUT2300 - MC608A

Installation with no upstream and downstream distances

The cone shaped section of the internal part of the sensor, allows an optimized and accelerated flow profile which permits to install the sensor in any kind of condition; no need to have straight sections/segments of pipes upstream and downstream. This U0-D0 condition enables to have an extreme flexibility on the flowmeter installation position.

Standards reference

The Euromag magnetic meters are marked CE and are manufactured according to the following standards:

- 2014/35/EU - EN 61010-1:2013 (LVD)
- 2014/30/EU - EN 61326-1:2013 (EMC)
- OIML R49-1:2013
- European directive 2014/32/EU (MID)
- 2014/34/UE - IEC 60079 - 0, IEC 60079 - 18 (ATEX - IECEx) Separate version
- EN ISO 15609-1 and EN ISO 15614-1
- UNI EN ISO 12944-2, painting for C4 class environments (on request)
- Ebonite conform to the norms WRAS, FDA, DM174

Applications

- Measure of potable or reflow water
- Distribution, municipal water
- Industrial waste water
- Over night applications with very low flow rate
- Industrial process liquids, muds and concretes
- Installation in small places without straight distances
- Leakage detection
- Fiscal measures, irrigation

Advantages

No moving parts ■ No parts inside of the flowmeter ■ No obstruction on the flow tube ■ Very low pressure loss (below 3.28 ft/s is irrelevant) ■ Long lasting stability and precision, no filter needed, zero maintenance ■ No periodic cleaning ■ Accurate measure at high flow rate (firefighting systems) and at low flow rates (overnight flow rates) ■ Extremely sturdy structure, a dedicated robot welds all the parts, internal parts protected by a bi-component resin in order to increase protection from external agents ■ Ideal for pit installations even for permanent immersion in water or buried installations ■ Bi-directional measure

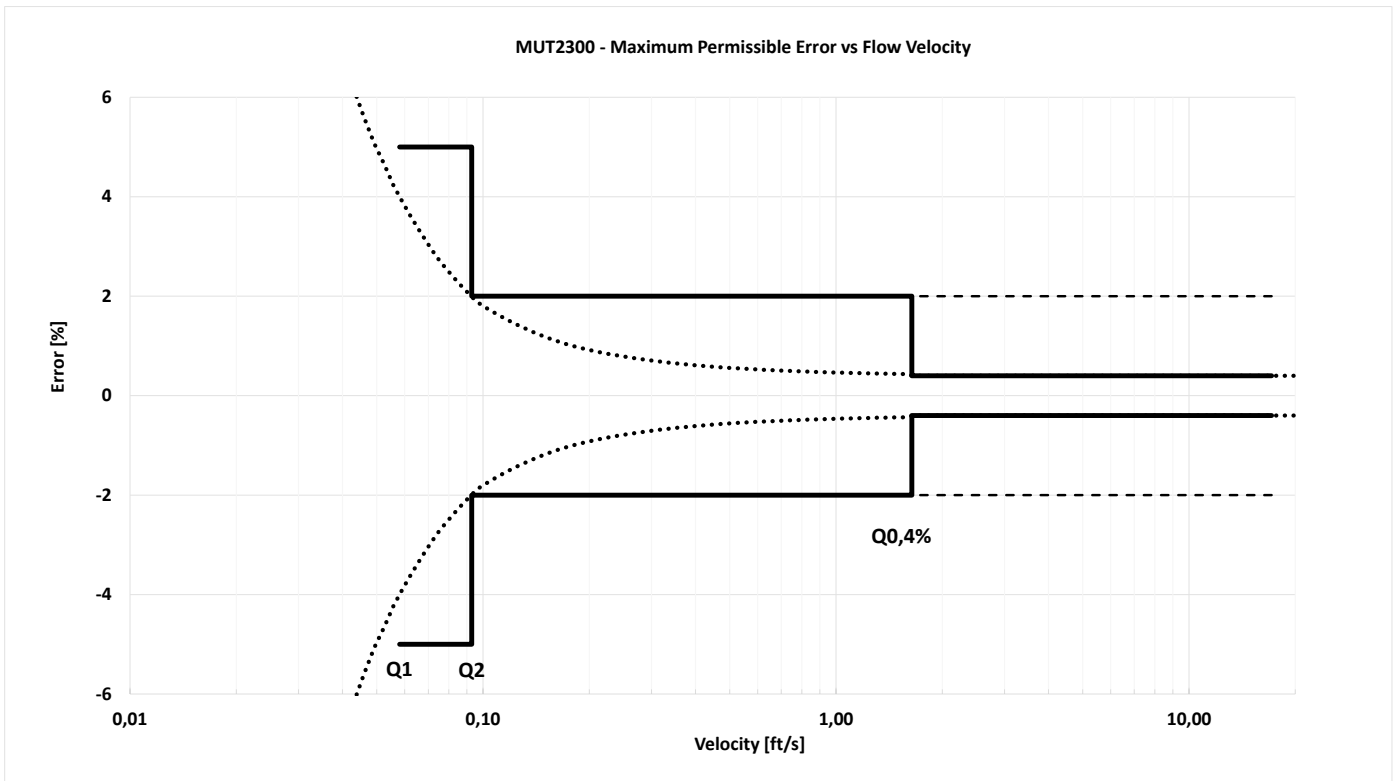
Technical features MUT2300

Flow tube material	AISI 304, AISI 316 (optional)									
Flanges material	Carbon steel (S235JR - 1.0037), AISI 304 optional, AISI 316 optional									
Available electrodes	Hastelloy C (standard), Hastelloy B, Titanium, Tantalum, Platinum									
Internal lining	Ebonite									
Liquid temperature	-104° F / +176° F									
Available sizes	mm	50	65	80	100	125	150	200	250	300
	inches	2"	2½"	3"	4"	5"	6"	8"	10"	12"
Standard flanged connections	ANSI 150, EN1092-1 PN 16									
Flanged connections on request	AS 2129 (Table D, E, F), AS 4087 (PN 16, 21), KS10K, others on request									
Standard operation pressure	305 psi									
Pressure drop class	DN≤3" ΔP25 (< 3.63 psi)					DN≥4" ΔP40 (< 5.80 psi)				
Installation requirements/conditions	U0-D0									
Protection Degree	IP68 permanent submersion at 4.92 ft (EN 60529)									
Convertes compatibility	MC608A/B/R/P, MC406									
Electrical connections	Cableglands M20 x 1.5 + terminal box + sealing resin									

Calibration and maximum error

MUT2300 sensors belong to the reference Group B1 (ISO 11631). Each sensor is calibrated by an hydraulic bench equipped with a reference weighting system and ACCREDIA certified. The uncertainty of the calibration is equal to $0.2\% \pm 0.08$ inch/s. The repeatability of the measure is about 0.1%. Bi-directional measure. Furthermore the sensors are certified MID01 norms (if coupled to MC406 converters) for custody transfer

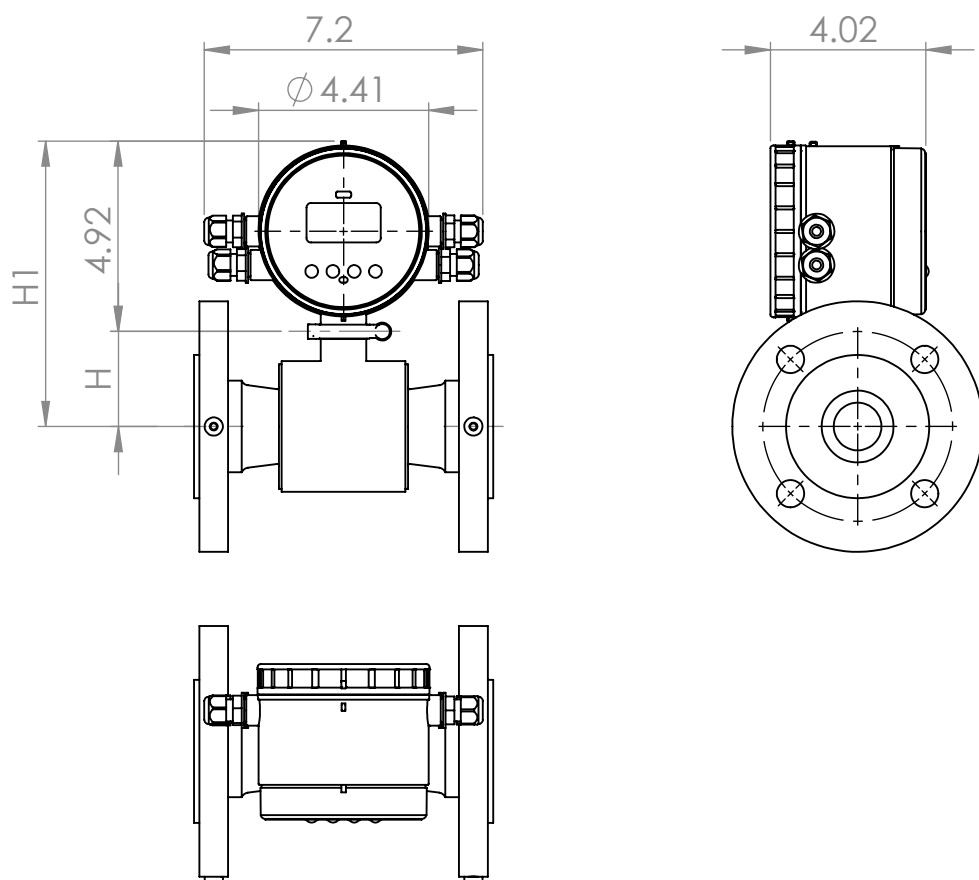
Maximum Permissible Error is within the limits indicated in the following graph:



Flow rates chart

Sensor size	Flow [gpm]					Ratio Q3/Q1
	Min Q1	Trans. Q2	Q0,4%	Perm. Q3	Overl. Q4	
2"	0.55	0.88	15.41	110.07	137.59	200
2"1/2	0.20	1.41	26.42	176.11	220.14	200
3"	1.39	2.22	39.63	277.38	346.73	200
4"	2.20	3.52	61.64	440.29	550.36	200
5"	3.52	5.64	96.86	704.46	880.57	200
6"	5.50	8.81	140.89	1,100.72	1,375.90	200
8"	13.87	22.19	250.96	2,773.81	3,467.26	200
10"	22.01	35.22	396.26	4,402.87	5,503.58	200
12"	35.22	56.36	563.57	4,402.87	5,503.58	125

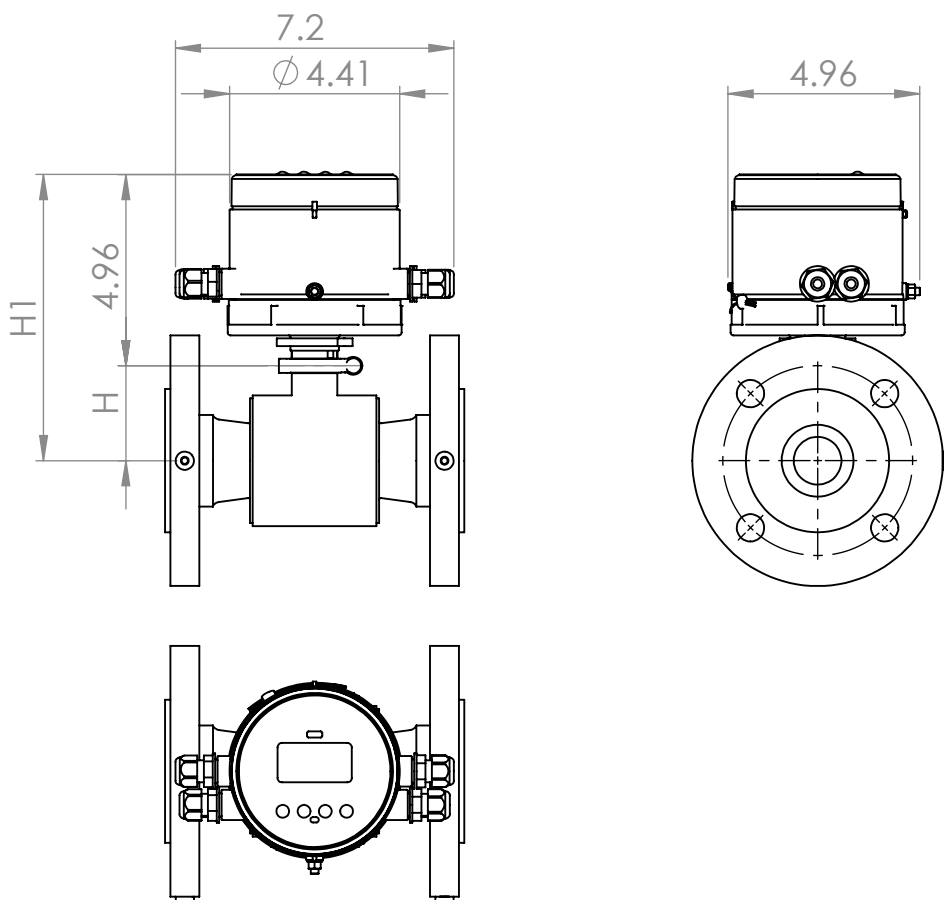
MUT2300 - MC406 HORIZONTAL



MC406 HORIZONTAL

SIZE	H	H1
2"	2.45	7.37
2" 1/2	2.45	7.37
3"	2.80	7.72
4"	3.10	8.02
5"	4.16	9.08
6"	3.98	8.90
8"	5.79	10.71
10"	6.91	11.84
12"	8.16	13.08

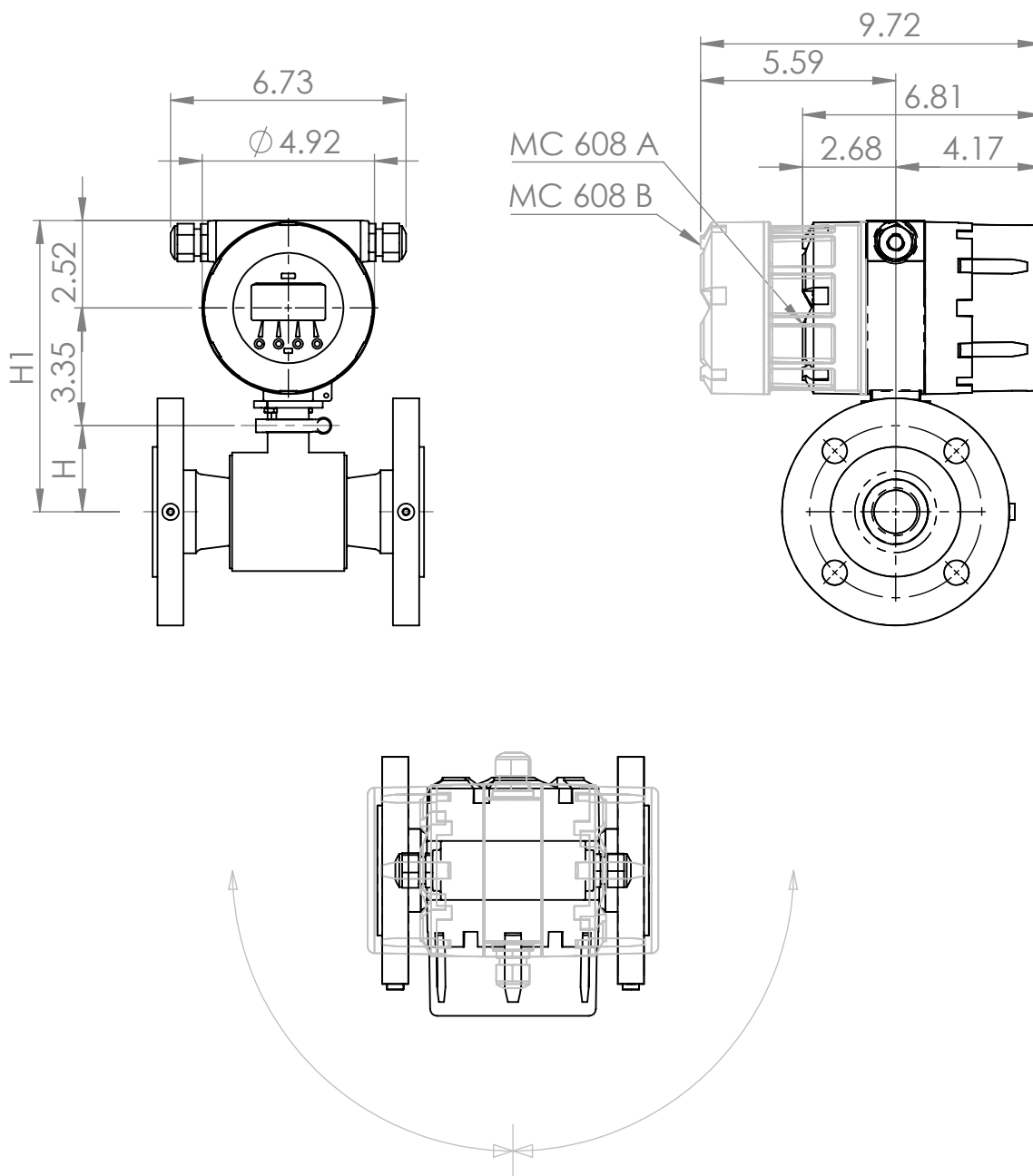
MUT2300 - MC406 VERTICAL



MC406 VERTICAL

SIZE	H	H1
2"	2.45	7.41
2" 1/2	2.45	7.41
3"	2.80	7.76
4"	3.10	8.06
5"	4.16	9.12
6"	3.98	8.94
8"	5.79	10.75
10"	6.91	11.88
12"	8.16	13.12

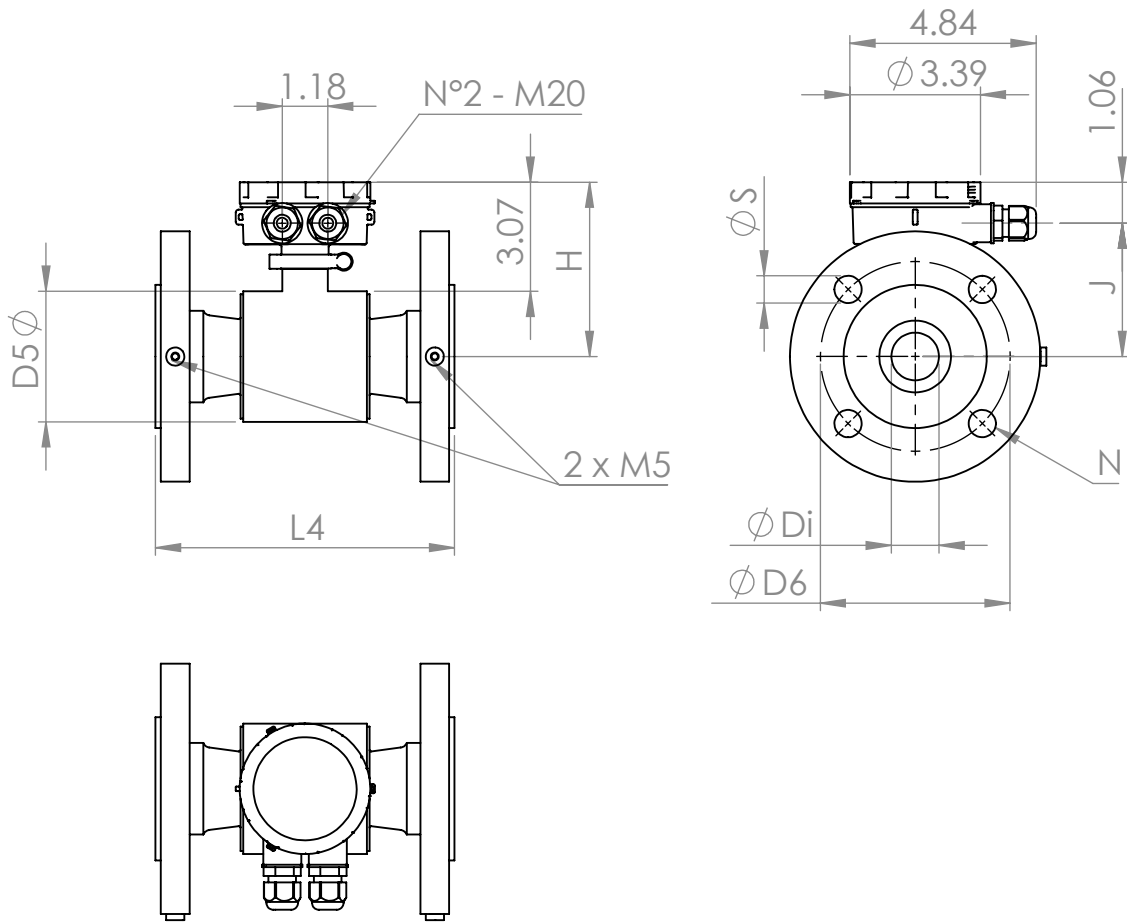
MUT2300 - MC608 A/B/R



MC608 A/B/R

SIZE	H	H1
2"	2.45	8.31
2" 1/2	2.45	8.31
3"	2.80	8.66
4"	3.10	8.96
5"	3.98	9.84
6"	4.16	10.02
8"	5.79	11.65
10"	6.91	12.78
12"	8.16	14.02

MUT2300 - SEPARATE

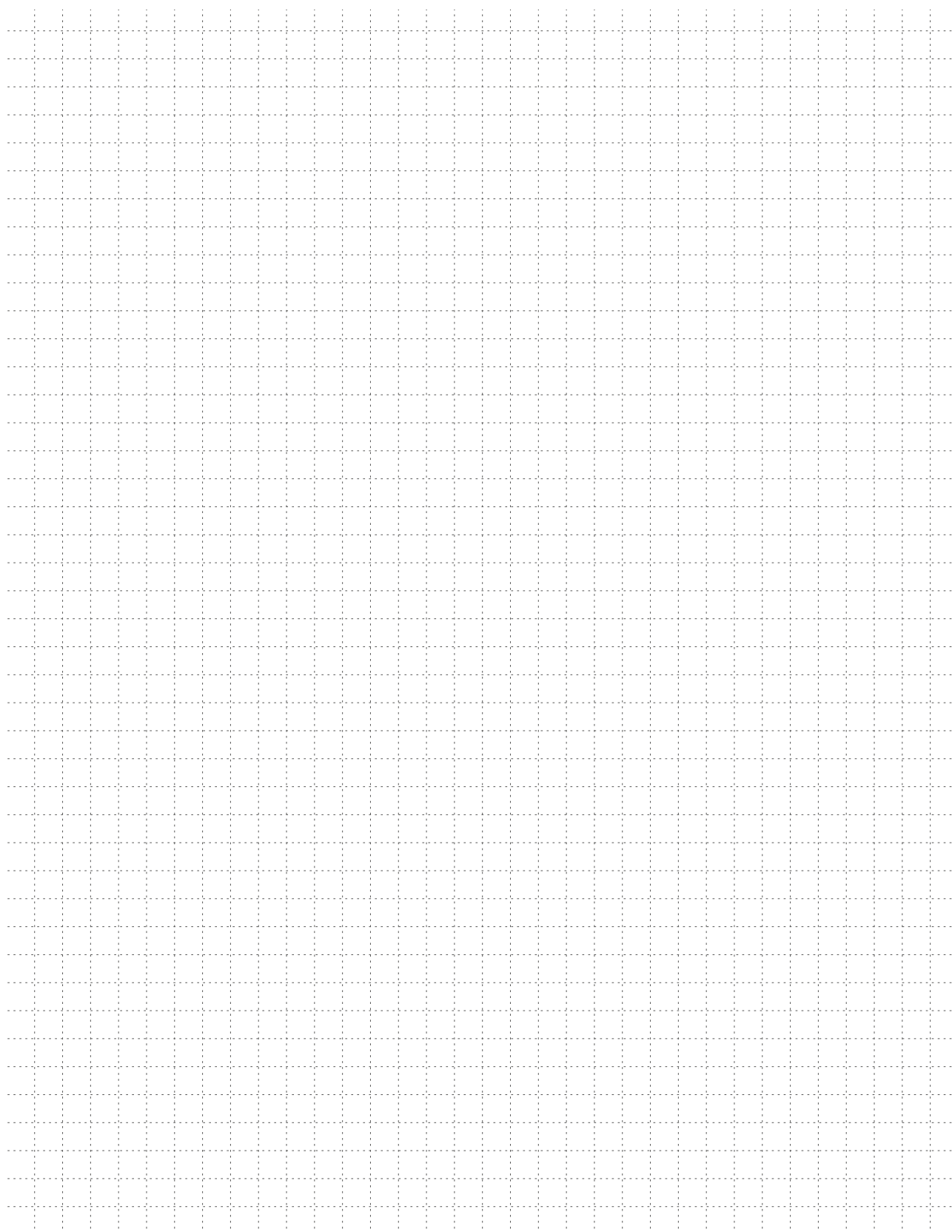


MUT2300 - ANSI150

SIZE	D5	L4	J	Di	D6	N	S	H
2"	3.35	7.87(+0/-0.12)	3.44	1.20	4.75	4	3/4	4.51
2" 1/4	3.35	7.87(+0/-0.12)	3.44	1.35	5.50	4	3/4	4.51
3"	4.06	7.87(+0/-0.12)	3.79	1.82	6.00	4	3/4	4.86
4"	4.65	9.84(+0/-0.12)	4.09	2.44	7.50	8	3/4	5.16
5"	6.77	9.84(+0/-0.12)	5.15	2.95	8.50	8	7/8	6.22
6"	6.42	11.81(+0/-0.12)	4.97	3.94	9.50	8	7/8	6.04
8"	10.04	13.78(+0/-0.12)	6.79	6.07	11.75	8	7/8	7.85
10"	12.28	17.72(+0/-0.2)	7.91	8.07	14.25	12	1	8.98
12"	14.76	19.69(+0/-0.2)	9.15	10.20	17.00	12	1	10.22

Zero upstream and downstream distances







Measure > Sense > Innovate



EUROMAG
INTERNATIONAL

Measure > Sense > Innovate



EUROMAG INTERNATIONAL Srl

Via della Tecnica, 20 - 35035 Mestrino (Padova) Italia
Tel. +39 049.9005064 - Fax +39 049.9007764

www.euromag.com - www.euromagdata.com
euromag@euromag.com