



EUROMAG INTERNATIONAL

Measure > Sense > Innovate

MUT1100J MC406

Electromagnetic
Flowmeter



*The Wafer flowmeter
designed for agricultural market*



DS403-1-EN



Applications

- Agricultural industry
- Irrigation
- Agricultural automation
- Green House
- Landscape
- Well usage
- Buildings
- Heat measurement systems
- Installation in small places with lightweight equipment
- Leak detection and monitoring
- Simple water applications such as potable, salt water, heated or cooled water

Key advantages

- No moving parts
- Low cost
- Zero maintenance
- Neglectable pressure drop
- No filtration needed
- Light weight and compact design
- Extremely robust
- Wider range of measurement
- Easy set up
- Inbuilt datalogging

Product's benefit

High performance for low cost

Economic investment and low maintenance costs for a very accurate measurement

Highly-resistant

Flow tube made in PA6 reinforced with Fiber glass, resistant to aggressive liquids and fertilizers

Long-lasting

Up to 10 years battery life

Lightweight

Very light and compact dimensions

Empty pipe electrode

Supplied as standard (\geq DN50). Empty pipe detection on measurement electrodes standard for all sizes

No data lost

Data automatically stored in the internal EEPROM memory

Information always available

Add-on communication module GSM/GPRS automatically sends the information via SMS, e-mail or on a website portal www.euromagdata.com with personal ID and password. Accessible also from smart phones and tablets. Configurable FTP communication.

Flow - pressure - temperature: all at the same time

Add-on modules of temperature and pressure reading make the MC406 one of the most complete electronic converter for electromagnetic flowmeters available

Easy management, easy programming

A software is supplied with the unit to allow users to communicate with the MC406 via IRCOM port to any pc, lap top or windows tablet

Always verified

The Euromag FIELD VERIFICATOR is available for full on-site verification, without interruption of the process

Features

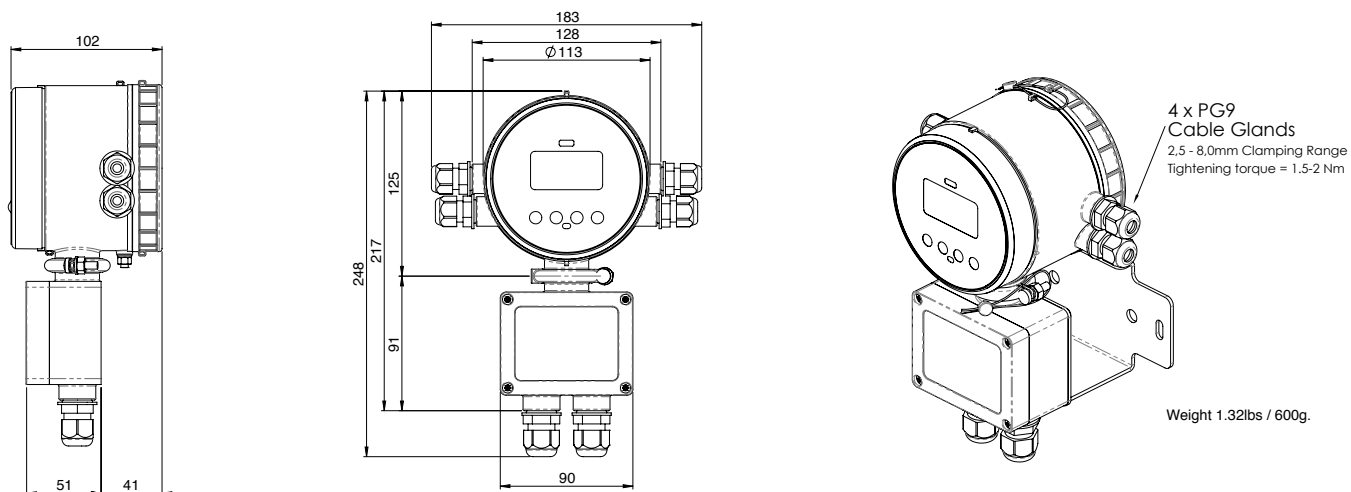


Features

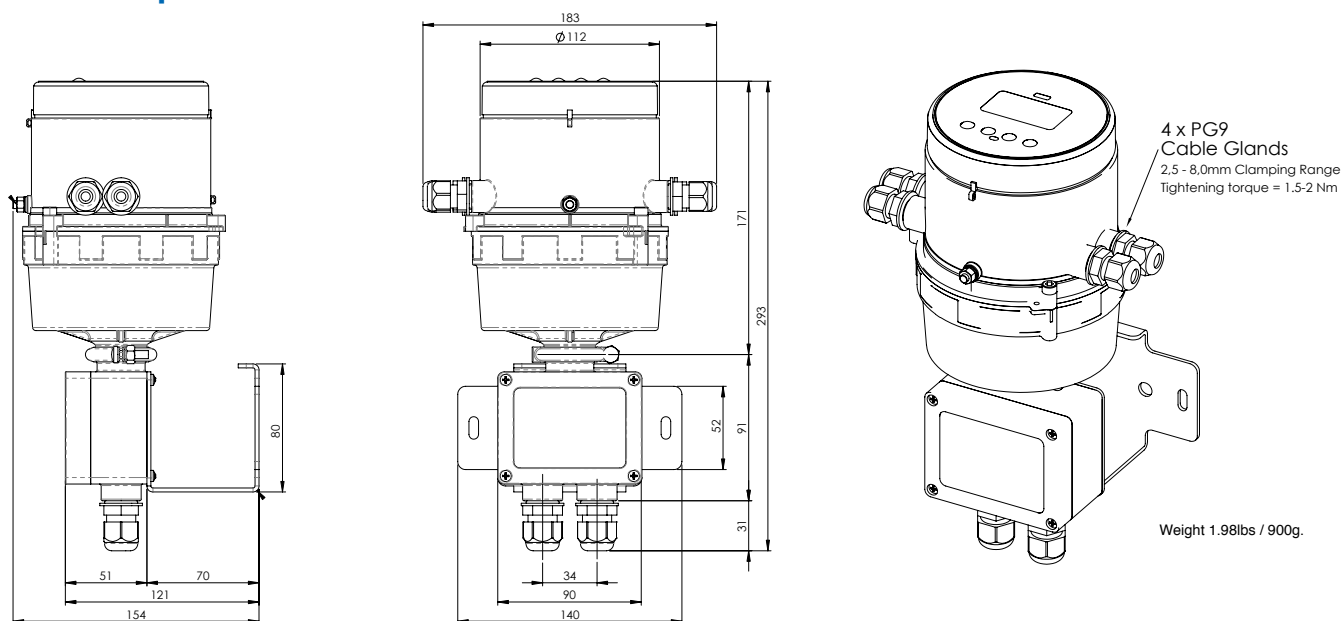


Overview Separate Converter

MC406 Standard Separate



MC406 Separate with GSM/GPRS

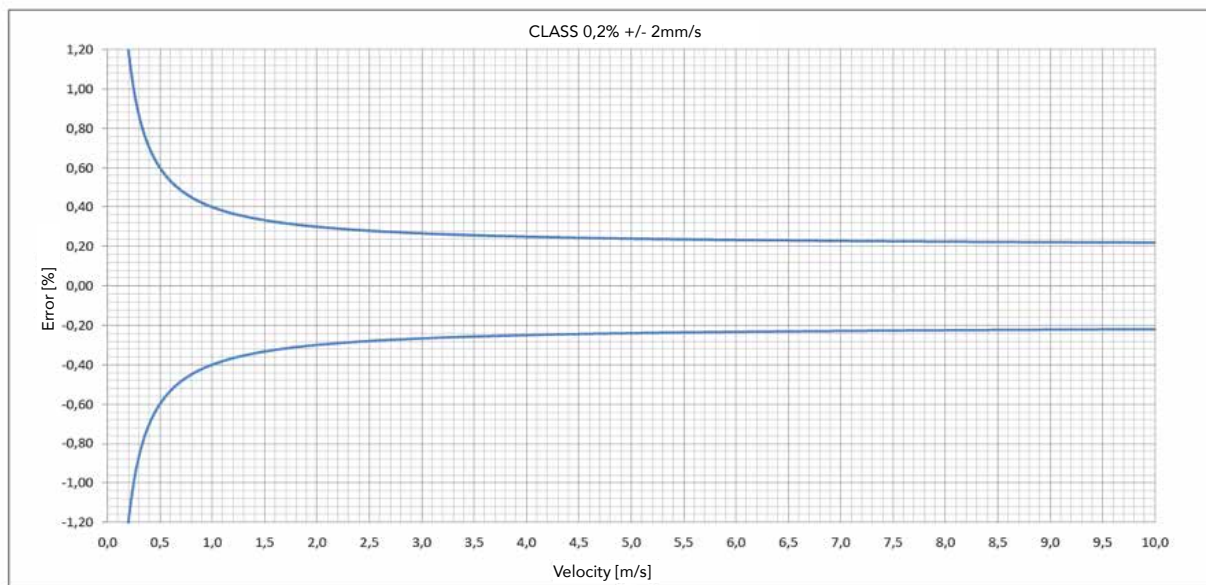


Specifications

Pipe sizes - millimeters (mm)	40, 50, 65, 80, 100, 150
Pipe sizes - inches (")	1.1/2", 2", 2.1/2", 3", 4", 6"
Process Connection	Wafer
Pressure	Max 16 bar (232 psi)
Temperature	Max 60°C (140°F)
Accuracy	0,2% +/- 2mm/s - Class 2 equivalent
Material	PA6 and fiber glass flow tube
Sensor Protection Degree	IP67 (IP68 Optional)
Connection	Compact or separate (cable lenght 30mt max)
Digital filters	Damping - cut-off (0,05 m/s default) - bypass - peak cut
Display and keys	LCD display - Index, menu, and symbols icons for dedicated information 4 Push buttons to access all functions Totalizer informations can be displayed with 5 decimal digits
Conformity	2014/35/EU - EN 61010-1:2013 (LVD) - 2014/30/EU - EN 61326-1:2013 (EMC)
Flow Units	m3, l, ML, ft3, GAL, BBL, Aft, Ain
Outputs	2 pulses passive outputs (1 programmable as alarm), individual galvanically isolated - clean contact Maximum load +/- 35V DC, 100 mA short circuit protected. 4...20mA loop powered optional. RS485 Modbus output optional.
Communication	Integrated Euromag IrCOM interface. Bluetooth module optional.
Datalogging	100,000 lines of data with a frequency of log between 1 minute and 120 minutes (default 15 minutes)
Power supply	Battery powered - 2 x D Cell 3,6 V * - 12/24Vdc optional
Battery life	Lithium battery pack up to 10 years / GSM battery life up to 10 years
Add on modules	GSM/GPRS Euromag Module Pressure (1 input) and temperature (2 inputs) Energy metering ready
Totalizers	5 (2 positive, 2 negative and 1 net)
Date and time	Yes
Data protection	Password available, automatic firmware check and recover during the update
Alarms and status	Status icon displayed and alarm logged in the datalogger
Self diagnostic	Alarms available: <ul style="list-style-type: none"> • excitation failure • high temperature • pulse overlapped • empty pipe on the measuring electrodes • empty pipe on the 4th electrode • high voltage supply • wet electronic board • low battery
External verification	Field vericator available for calibration verification and electronic status
Software for communication and programming	Commissioning (equal settings of meters) - Data print for documentation - Data export (CSV file) - Firmware update - Read instant flowrate - Read and write all non volatile parameters - Download internal datalogger - View instrument event logger

* Lithium batteries are subject to special transportation regulations according to United Nations "Regulation of Dangerous Good", UN 3090 and UN 3091. Special transport documentation is required to observe these regulations. This may influence both transport time and cost

Measuring accuracy



Flow rates

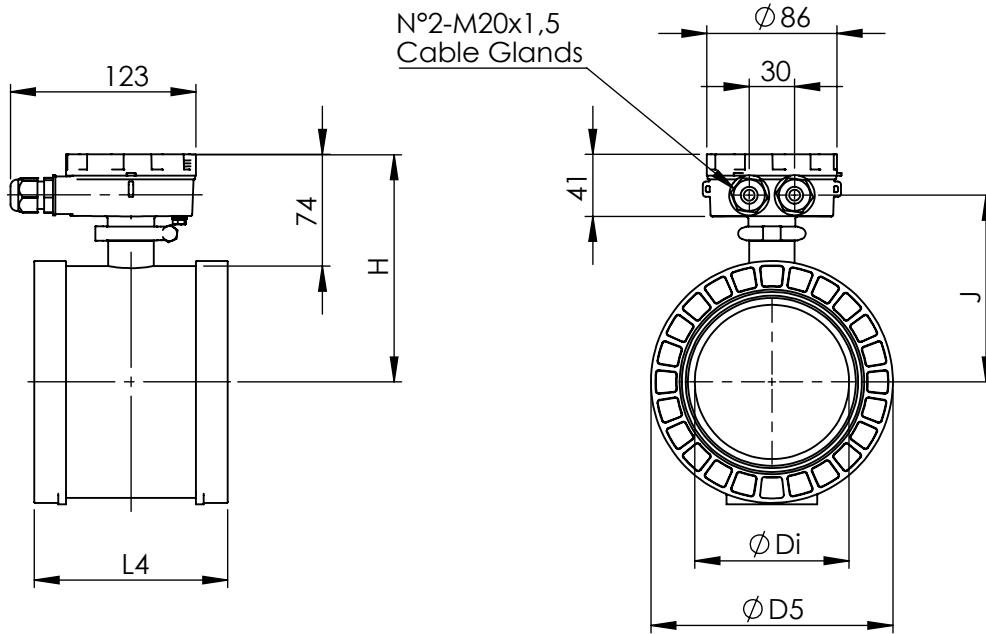
Pipe size	1" 1/2 / 40mm	2" / 50mm	2" 1/2 / 65mm	3" / 80mm	4" / 100mm	6" / 150mm
Max flow rate (gallons/minute)	199	310	525	796	1243	2800
min Flow Rate (gallons/minute)	0,9	1,5	2,6	3,9	6,2	13,9
Max Flow Rate (Liters/Second)	12,5	19,5	33,12	50,21	78,42	176,65
min Flow Rate (Liters/Second)	0,05	0,09	0,16	0,24	0,39	0,87

*NOTE: The indicated low flowrate is at factory settings. Lower flowrates can be achieved modifying the cut off filter

Weight (Sensor only)

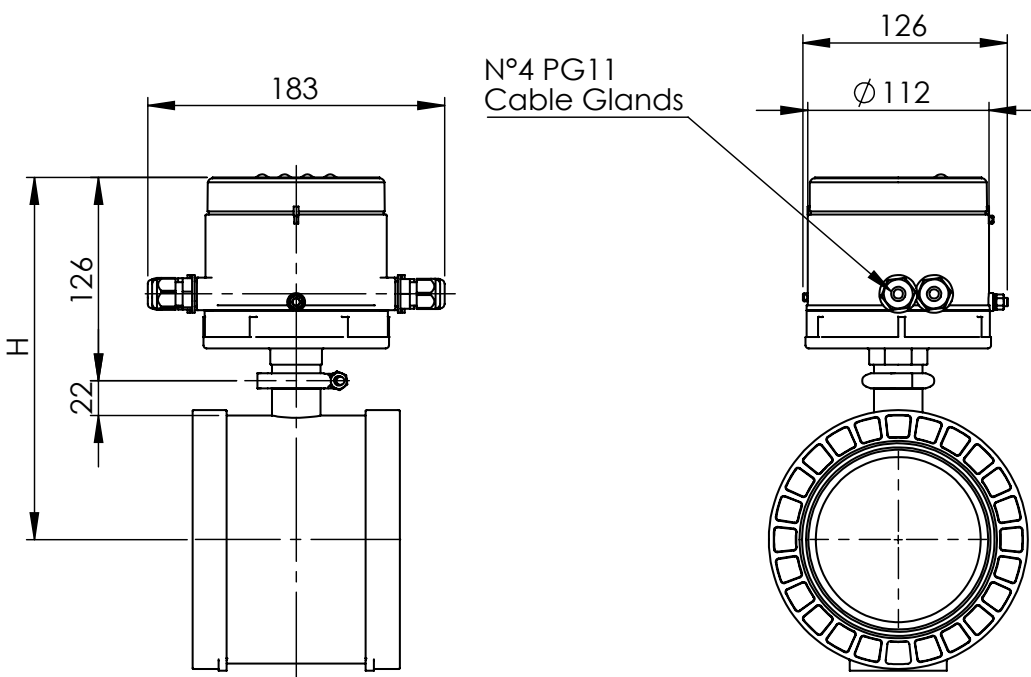
DN	[mm]	40	50	65	80	100	150
DN	["]	1" 1/2	2"	2" 1/2	3"	4"	6"
WEIGHT	[kg]	1,5	1,8	2,5	3	4	6,5

MUT1100J - SEPARATE



DN	L4	Di	D5	H	J
40	96	37,6	86	113	87
50	86	45,9	103,2	122	95
65	104	62,5	122	131	105
80	112	78,0	134	137	111
100	128	102,0	160	150	124
150	196	147,0	220	180	154

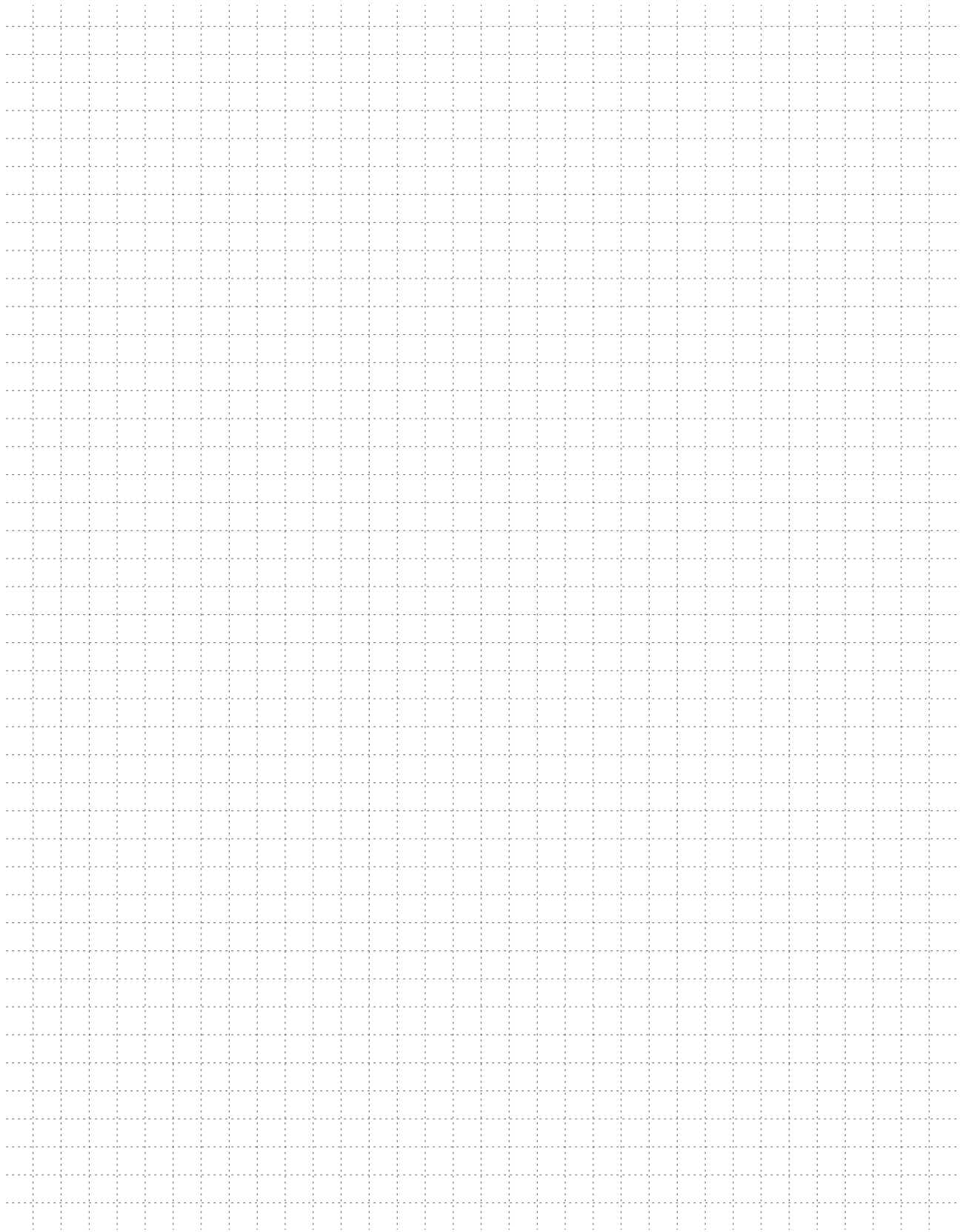
MUT1100J - MC406 COMPACT

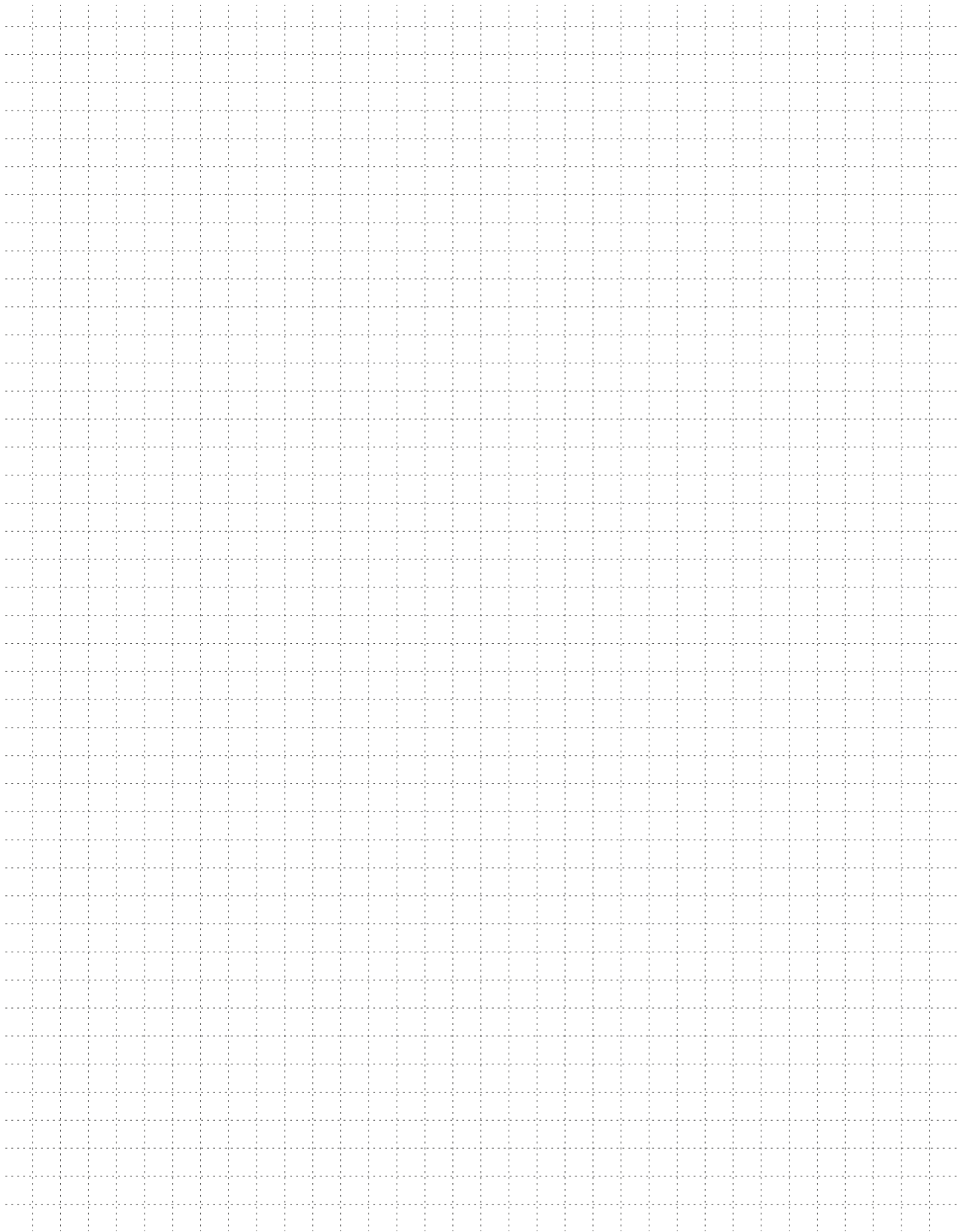


DN	H
40	187
50	196
65	205
80	211
100	224
150	254



Notes







Measure > Sense > Innovate



EUROMAG
INTERNATIONAL

Measure > Sense > Innovate



EUROMAG INTERNATIONAL Srl

Via della Tecnica, 20 - 35035 Mestrino (Padova) Italia
Tel. +39 049.9005064 - Fax +39 049.9007764

www.euromag.com - www.euromagdata.com
euromag@euromag.com



TORMENE
GROUP