



EUROMAG
INTERNATIONAL

Measure > Sense > Innovate

CONVERTER MC406

Electromagnetic flowmeter



 **Bluetooth™**



The battery powered electronic converter



DS400-6-USA



Converter MC406

The MC406 is the new high -efficiency, technologically advanced battery powered electronic converter from Euromag, combining high performances and dedicated applications solutions to a low cost of ownership.

Up to 10 years of battery life allows maintenance free of operation. Battery pack is then easily replaceable, all data are automatically stored in the internal EEPROM memory and no data will be lost.

Applications

- Abstraction and distribution
- Revenue and bulk metering
- Irrigation
- Waste water and treatment
- Leak detection systems
- Any remote application with no access to mains power

Installation

Compact: horizontal or vertical (typically pit installations).

Separate (Remote): up to 30 meters of cable are supplied from factory.

Case

Reliable and robust, Ixef® PARA (polyarylamide) reinforced with 50% glass fiber with 4 PG9 glands, bayonet closure IP68.

Data security

Excellent data security given by the internal EEPROM memory. Enhanced security in data and parameter storage; built-in datalogger with over 100.000 data lines capacity (more than 3 years of data under factory settings). Cycle memory, old data will be overwritten by new ones when full capacity is reached. A software is supplied with the unit to allow users to communicate with the MC406 via Ircom port to any pc, lap top or windows tablet. Easy data download and management, easy programming.

Advanced self-diagnostic performs a wide range of essential checks automatically.

Low flow detection

Combined to the Euromag MUT2300 sensor series, the MC406 is capable to read flow velocities of 0.015 m/s (MID-OIML R49 certified).

MC406 is compatible with the complete line of sensors from Euromag.

Full bore units up to DN1000, and with any insertion sensors.

Remote data reading

With advanced display information, on-site data collection and remote monitoring via GSM/GPRS network, the MC406 allows any customer to access all the information, easily and at no cost.

Add on communication module automatically sends the information via SMS, e-mail (with or without attachment) and to www.euromagdata.com free access using any browser and with personal ID and password, also on smartphones and tablets.

Add on modules of temperature and pressure reading, make the MC406 one of the most complete electronic converter for electromagnetic flowmeters available, giving to the end user a full control over all the main parameters of its network, reducing cost of programming, installation and maintenance.

One unit supplying flow - pressure - temperature, all at the same time.

Always verified

On-site verification available with the Euromag FIELD VERIFICATOR.

EASY AND INTUITIVE INTERFACE

Everything you need from your flowmeter with a blink of an APP.

In a fast developing and interconnected world, data must be available and exchanged quick and easy Mag-Net app is the Euromag solution.



Bluetooth™



Reliable

Ultra low power bluetooth communication



Contactless

A contactless interface allows users to interact with the transmitter up to a range of more than 10m. From the comfort of your car.



Chart and retrieve data

The Mag-Net app allow users to view the log file on their smart phone/tablet and download it as CSV file.



Infinite possibilities

Consult, analyse, monitor, the data directly with your touch through simple gestures.



Easy and intuitive

The Mag-Net app is easy and intuitive to use, allowing users to deal with the instrumentation.



Smart configuration

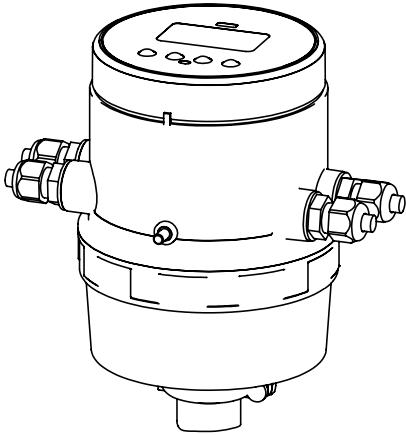
Users can easily configure or change settings of their flow meters using Mag-Net app.

EASY AND INTUITIVE INTERFACE

The image displays four smartphone screens illustrating the user interface of a flowmeter. Each screen is annotated with a blue callout box explaining a key feature.

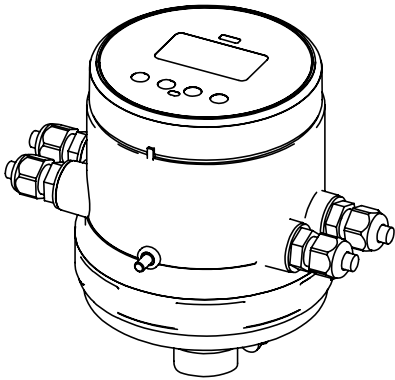
- Top Left Screen (Main Display):** Shows real-time flow data (0.644 m³, 0.000 m/h) and device information (Model: MUT7000, Serial number, Diameter: 50). Callouts highlight:
 - Easy display of instant flow and totalizer
 - Quick view of model and serial number
 - Easy display of all totalizers
 - Partial totalizers, quick reset
- Top Right Screen (Graph):** Displays a line graph of flow over time. Callouts highlight:
 - View the instantaneous flow in the intuitive graph
 - Immediate view of Max, Min flowrate of the system
- Bottom Left Screen (Data Log):** Shows a table of recorded data points. Callout:
 - Download the data log and display all the information
- Bottom Right Screen (Settings):** Shows configuration options like Firmware (v.0.21), Device configuration (v.0.0.2), and various measurement and output settings. Callouts highlight:
 - Keep your flowmeter updated easily
 - Modify or change settings with the intuitive menu

MC406 GSM



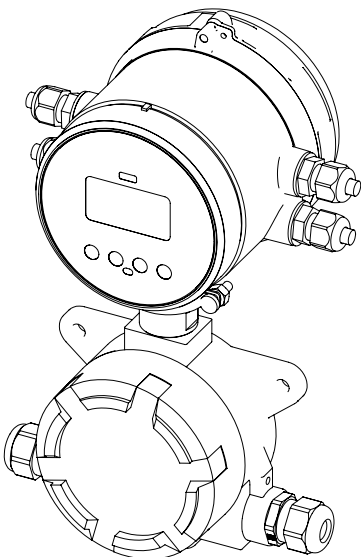
Weight 0.89 lbs

MC406 VERTICAL



Weight 1.06 lbs

MC406 SEPARATE



Weight 1.32 lbs



MUT1222 - MC406



MC406

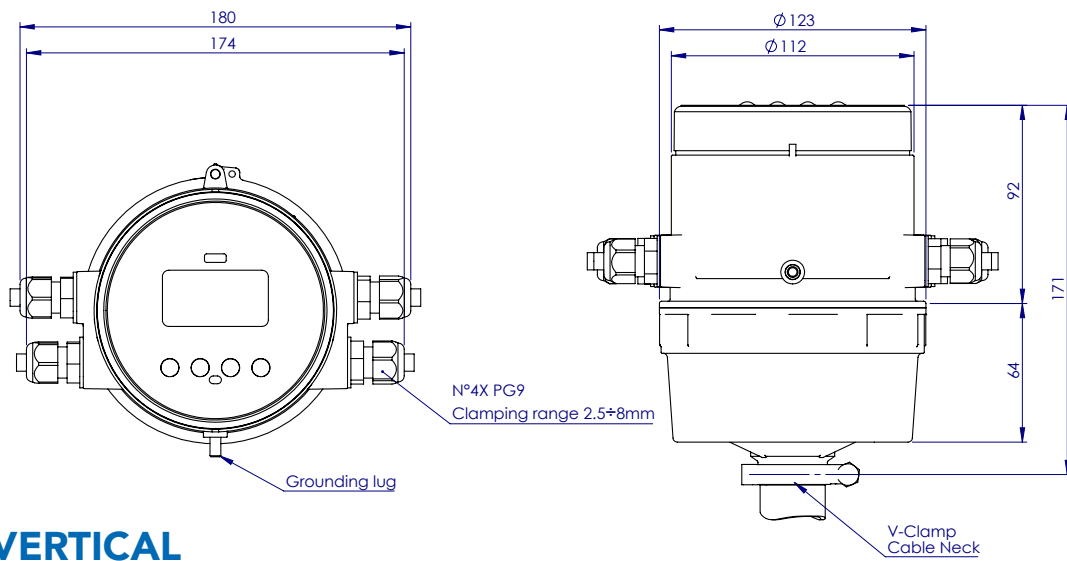


MUT2300 - MC406 HORIZONTAL

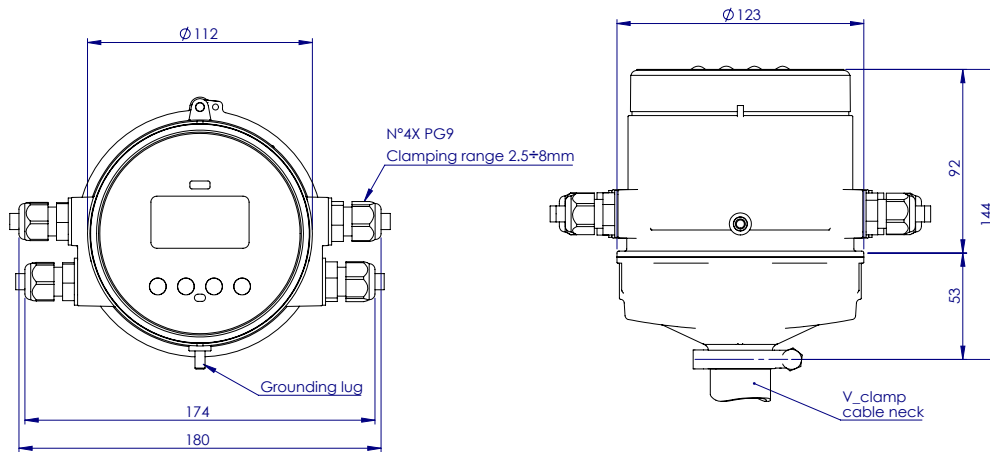


MC406

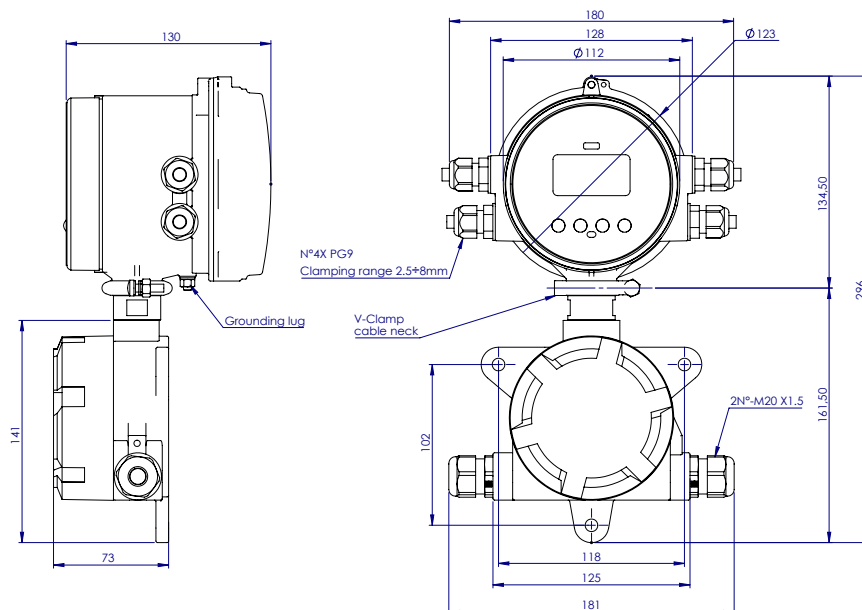
MC406 GSM



MC406 VERTICAL



MC406 SEPARATE



Transmitter type	Battery powered - 2 x D Cell 3,6 V * - 12/24Vdc optional
Battery life	Lithium battery pack up to 10 years / GSM battery life up to 10 years
Accuracy	0,2 % +/- 2 mm/s - insertion sensors 2% of rate +/- 2mm/s
Temperature	Ambient: -20 ... +60 C° (-4 ... +140 F) Media -25 ... 80 C° (-13 ... +176 F) Storage -40 ... +70 C° (-22 ... +158 F)
Enclosure	Ixef® PARA (polyarylamide) reinforced with 50% glass fiber IP 68. Remote wall mount bracket in carbon steel zinc plated
Cable entries	4X PG9 Glands I/O - 2X M20 x 1.5. Glands junction box in remote version
Custody transfer	Type approved OIML R49-1 2013 / EN 14154 MID EN-ISO 4064 - Certificate n. T10713 - Class 2 and Class 1
Conformity	EMC: EN 61010 - LVD: EN 61326 ; EN/IEC 60529 IP68
Sensor type	Full bore up to DN 1000 - Insertion meters
Flow velocity range	0,015 m/s up to 10 m/s
Sampling rate	Standard mode 1 / 5 Hz up to 1 / 60 Hz (default 1 / 15 Hz) max 3,125 Hz
Installation	Integral (compact) or remote with factory mounted sensor cable in 5 m (16,4 ft) up to 30 m (98,4 ft)
Digital filters	Damping - cut-off (0,05 m/s default) - bypass - peak cut
Display and keys	LCD display - Index, menu, and symbols icons for dedicated information 4 Push buttons to access all functions Totalizer informations can be displayed with 5 decimal digits
Displayed informations	Live flowrate Total positive totalizer (T+) Total negative totalizer (T-) Partial positive totalizer (P+) Partial negative totalizer (P-) Net totalizer (NET) Time & date Converter temperature Process pressure and temperature (if available) Parameters corresponding code and value
Flow Units	m, m ³ , l, ML, ft ³ , GAL
Outputs	2 pulses passive outputs (1 programmable as alarm), individual galvanically isolated - clean contact Maximum load +/- 35V DC, 100 mA short circuit protected. 4...20mA loop powered optional. RS485 Modbus output optional.
Communication	Integrated Euromag IrComm interface. Bluetooth module optional.
Datalogging	100,000 lines of data with a frequency of log between 1 minute and 120 minutes (default 15 minutes)
Add on modules	GSM/GPRS Euromag Module Pressure (1) and temperature (2) Energy metering ready
Totalizers	5 (2 positive, 2 negative and 1 net)
Date and time	Yes
Data protection	Password available, automatic firmware check and recover during the update
Alarms and status	Status icon displayed and alarm logged in the datalogger
Self diagnostic	Alarms available: <ul style="list-style-type: none"> • excitation failure • empty pipe on the 4th electrode • empty pipe on the measuring electrodes • high temperature • high voltage supply • pulse overlapped • wet electronic board • low battery
External verification	Field vericator available for calibration verification and electronic status
Software for communication and programming	Commissioning (equal settings of meters) - Data print for documentation - Data export (CSV file) - Firmware update - Read instant flowrate - Read and write all non volatile parameters - Download internal datalogger - View instrument event logger

* Lithium batteries are subject to special transportation regulations according to United Nations "Regulation of Dangerous Good", UN 3090 and UN 3091. Special transport documentation is required to observe these regulations. This may influence both transport time and cost



Measure > Sense > Innovate



EUROMAG
INTERNATIONAL

Measure > Sense > Innovate



EUROMAG INTERNATIONAL Srl

Via della Tecnica, 20 - 35035 Mestrino (Padova) Italia
Tel. +39 049.9005064 - Fax +39 049.9007764

www.euromag.com - www.euromagdata.com
euromag@euromag.com