



**EUROMAG**  
INTERNATIONAL

*Measure > Sense > Innovate*

# SENSOR **MUT4000**

Electromagnetic flowmeter



*The electromagnetic flowmeter designed for the automotive industry*



DS250-3-ENG





extremely **reliable**,  
highly **intelligent**

internally ***STRONG***,  
deeply ***ROBUST***

made in Italy



# SENSOR MUT4000

Electromagnetic  
flowmeter

Electromagnetic flowmeter with hose connections.

The right choice for the automotive market.

Encouraged by the R&D dept. of Automobili Lamborghini S.p.A., Euromag International has recently developed and completed a brand new flowmeter, designed primarily for the automotive market.

Engineered with light and innovative materials, MUT4000 has a compact and versatile design with hose connections, for a quick easy installation.

## Reference standards

EUROMAG magnetic meters are marked CE and are manufactured according to the following standards:

- 2014/35/EU - EN 61010-1:2013 (LVD)
- 2014/30/EU - EN 61326-1:2013 (EMC)



MUT4000 — Electromagnetic flow meter

## COMMON FEATURES:

### Temperature Rating:

-25°C to +120°C

### Viscosity Range:

Viscosity independent.

### Accuracy and repeatability:

0,2% ± 2mm/s

### Fluid Conductivity:

Must be greater than 5 µS/cm.

### Flow tube:

PET

### Electrodes:

3 el. in AISI 316

### Closure:

Carbon steel with cathoresis treatment

### Protection Rating:

IP67 NEMA 6

### Connections:

Hose fittings

### Connectors:

Lemo – specific for automotive use

### Pressure class:

PN10

### Suitable converters:

MC608P – MC608LB

### Cable length:

Cable CF240PUR 5mt (16.4 ft)

Cable CF240PUR 6,1mt (20 ft)

Cable CF240PUR 12,2mt (40 ft)

### Options:

Stainless Steel 304 body for extremely rough conditions

### Operating and Maintenance Manual:

Included

### Calibration Certificate:

Included

### Software PC:

Included

# SENSOR MUT4000

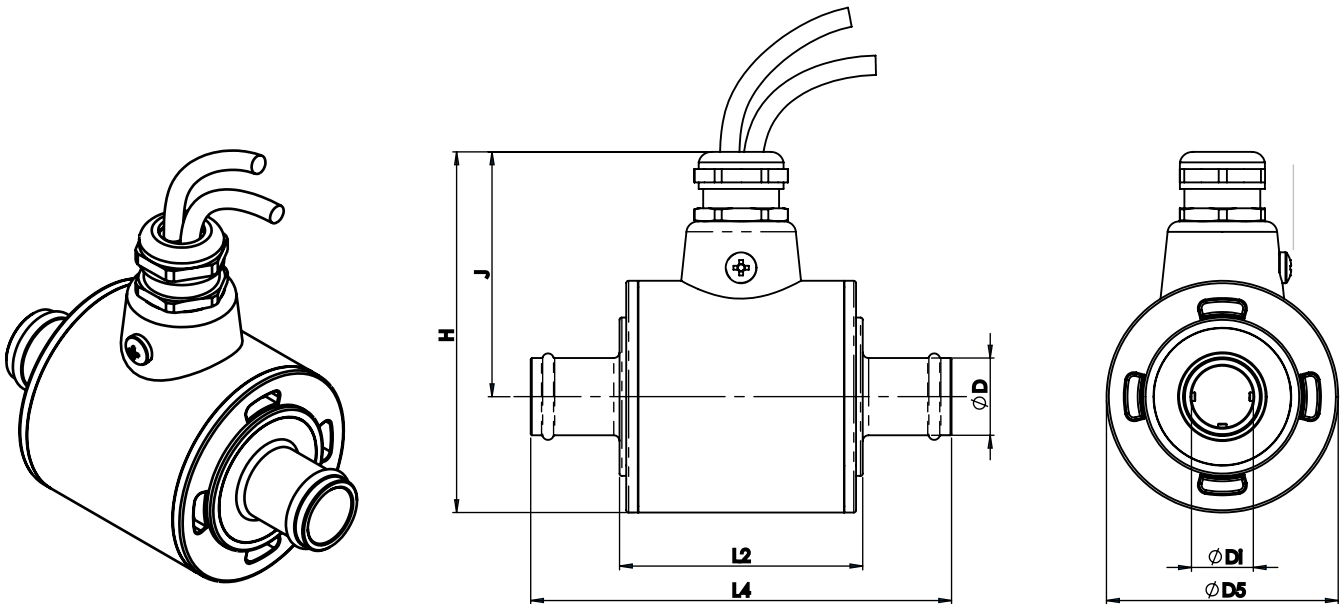
Electromagnetic  
flowmeter

METER SIZE MM / INCHES	INTERNAL DIAMETER MM	MINIMUM RECOMMENED FLOWRATES	
		M3/H	L/MIN
15 - 1/2"	9	0,114	1,86
18 - 5/8"	12	0,2	3
20 - 3/4"	16	0,361	6
25 - 1"	20	0,56	9,36
32 - 1 1/4"	25	0,88	14,7
40 - 1 1/2"	32	1,44	24
50 - 2"	44	2,73	45,54



# SENSOR MUT4000

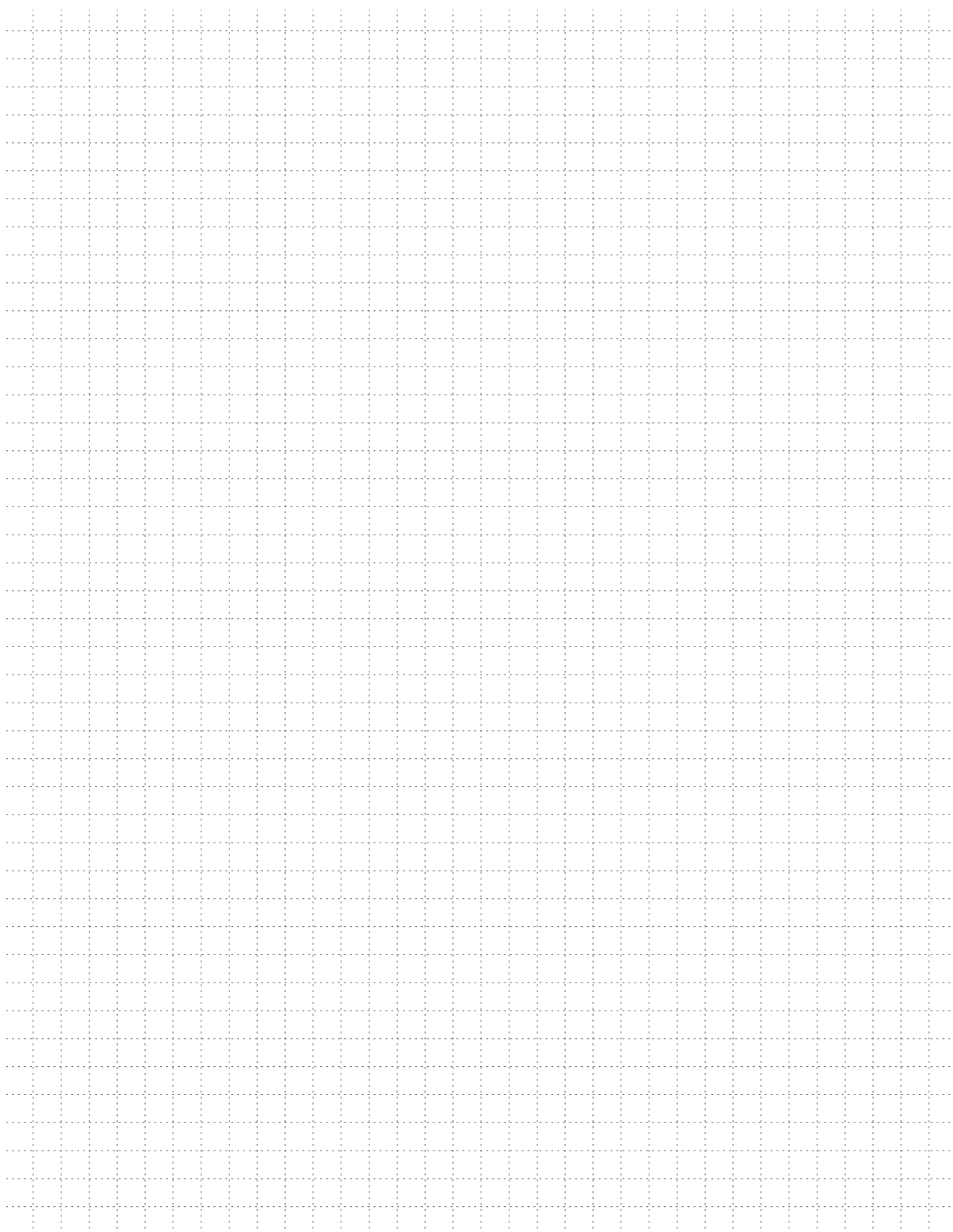
Electromagnetic  
flowmeter



Size		Weight [kg]	D [mm]	DI [mm]	L4 [mm]	D5 [mm]	H [mm]	J [mm]	L2 [mm]
DN	Inches								
15	1/2"	0,8	13	9	100	51	84	59	60
18	5/8"	1,0	16	12	103	60	93	73	63
20	3/4"	1,0	20	16	109	60	93	63	63
25	1"	1,0	25	20	109	60	93	63	63
32	1" 1/4	1,2	32	25	128	80	113	73	82
40	1" 1/2	1,2	38,6	32	128	80	113	73	82
50	2"	1,4	52	44	143	80	113	73	82

Details







*Measure > Sense > Innovate*



**EUROMAG**  
INTERNATIONAL

*Measure > Sense > Innovate*



**EUROMAG INTERNATIONAL Srl**

Via della Tecnica, 20 - 35035 Mestrino (Padova) Italia  
Tel. +39 049.9005064 - Fax +39 049.9007764

[www.euromag.com](http://www.euromag.com) - [www.euromagdata.com](http://www.euromagdata.com)  
[euromag@euromag.com](mailto:euromag@euromag.com)